

## 3369LE SCISSOR LIFTS

### Platform

- 0.91 m roll-out deck extension
- Fold-down handrails
- Self-closing gate
- Removable platform console box
- Lanyard attach points
- Full proportional drive joystick control with integral thumb steer switch
- Proportional lift/lower speed control
- Joystick enable for lift and drive
- Load sensing system
- Two speed drive selection

### Available Options

- Hydraulic levelling jacks
- 13mm air line to platform
- 390A/hr maintenance free AGM batteries in lieu of standard
- All motion alarm
- Descent alarm
- Alarm package <sup>1</sup>
- Platform work-lights
- Amber strobe light
- Plugs and Sockets

### Power & Transmission

- Two Wheel Direct Electric Drive
- 8 x 6V 370 A/hr deep cycle batteries
- Automatic traction control
- Programmable “Personality” settings
- On-board self-diagnostic testing
- Detachable battery compartments
- 20 amp automatic battery charger
- Automatic rear wheel brakes
- Sculptured ABS hoods

### Functional Equipment & Accessories

- 3 degree tilt alarm and indicator light
- Steel scissor guards
- 240/55 - 17.5 non marking foam filled tyres
- Oscillating rear axle
- Lifting/tie down lugs
- Lubrication free scissor arm bushings
- Scissor maintenance prop
- AC cable to platform
- Ground control selector switch with key lock
- Battery condition indicator
- Hour meter
- Horn
- Manual descent pull cable



<sup>1</sup> Includes all-motion alarm and amber strobe light.

## 3369LE SCISSOR LIFTS

A. Platform Height – Elevated	10.06 m
B. Platform Height – Lowered	1.69 m
C. Platform Railing Height	1.10 m
D. Stowed Height (Rails Folded)	1.98 m
E. Platform Size (W X L)	1.65 m x 2.92 m
F. Deck Extension	0.91 m
G. Overall Width	1.75 m
H. Overall Length	3.07 m
I. Wheelbase	2.32 m
J. Ground Clearance	0.20 m
Platform Capacity	450 kg
Capacity on Deck Extension	120 kg
Lift/Lower Time	38/42 sec.
Maximum Drive Height	10.06 m
Machine weight <sup>1</sup>	4,600 kg
Maximum Ground Bearing Pressure	8.1 kg/cm <sup>2</sup>
Drive Speed – Lowered	4.8 km/h
Drive Speed – Elevated	0.8 km/h
Gradeability	35%
Turning Radius – Inside	2.29 m
Turning Radius – Outside	4.88 m
Tyres (non-marking)	240/55-17.5
Brakes	Automatic Spring Applied
Drive Motors	Dual Electric Traction
Hydraulic Pump Motor	Perm. Magnet
Batteries	8 x 6V 370 A/hr
Charger (120/240V - 50/60HZ)	20 Amp SCR Automatic
Hydraulic Pump	Gear Pump
Hydraulic System	32 L

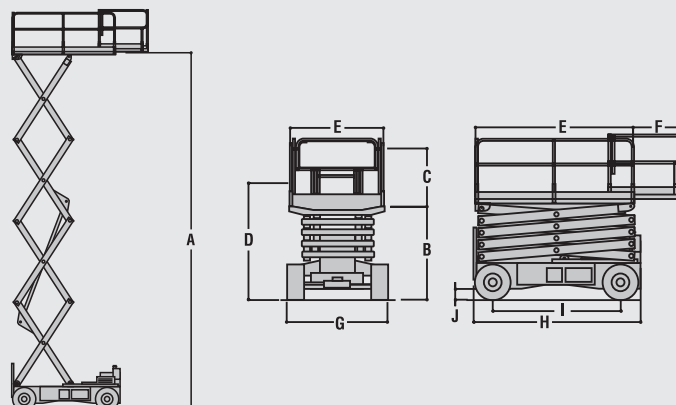
**JLG Industries, Inc. is a leading designer and manufacturer of access equipment and complementary services and attachments.**

JLG has manufacturing facilities in the United States, France, Romania, China and Belgium. Customers throughout Europe, Scandinavia, Africa and the Middle East benefit from a network of dedicated sales and service operations designed to deliver the highest levels of support.

**JLG is an Oshkosh Corporation company.**

[www.jlgeurope.com](http://www.jlgeurope.com)

<sup>1</sup> Certain options or country standards may increase weight and/or dimensions.



JLG is continually researching and developing products and reserves the right to make modifications without prior notice. All data in this document is indicative. Certain options or country standards will increase weight. Specifications may change to meet country standards or with the addition of optional equipment.